



P.O. BOX 990
BRADENTON, FL 34206-0990

2242 WHITFIELD PARK LOOP
SARASOTA, FL 34243

FON: (941) 755-2111
WEB: <http://www.magnaray.com>

FAX (941) 751-5483
Email: sales@magnaray.com

Case Study

El Cajon Ford *Doubles Light Output* - Saves Energy/Money

Pre retro-fit lighting consisted of 12-1,000 watt metal halide units on 4 poles (4 lights on 1 portable generator), plus 1-175 watt metal halide building mounted unit, for a total load of 17,715 watts. Lighting results were poor, and increasing loads without complete re-wiring or new panels added was not possible with metal halide. Pre retro-fit photos below:



The solution to lowering wattage, and providing improved lighting quality, was to incorporate Magnaray's NEW "ARRAY" units. They come with 2,3, or 4 stacked units (W4PL5096 usually) for a wide variety of applications from military security, large area, tennis court, and other sports applications. *See reverse for examples.*

At 848 watts per 4 fixture array, using 4 arrays (eliminated the portable generator), and 3 building mounted #W4PL5096 fixtures, the result in increased lighting, both perceived and measured, without re-wiring. Color, distribution, and glare control added to the sale-ability of the cars, according to the sales manager. Results after retro-fit are shown below: ***78% energy savings, no color shift, and double light!***



Saving Energy and the Environment Since 1964

"Quality is never an accident; it is always the result of high intention, sincere effort, intelligent direction



P.O. BOX 990
 BRADENTON, FL 34206-0990
 FON: (941) 755-2111
 WEB: <http://www.magnaray.com>

2242 WHITFIELD PARK LOOP
 SARASOTA, FL 34243
 FAX (941) 751-5483
 Email: sales@magnaray.com

New *Lighting Arrays*

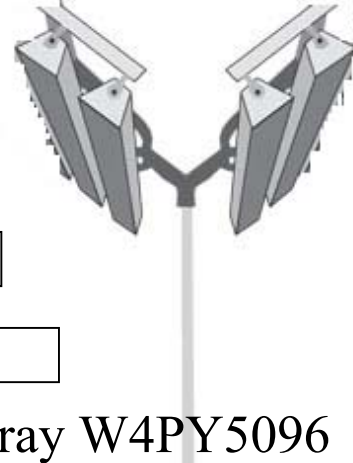
122203



EPA = 5.7

Mount Wt = 115#

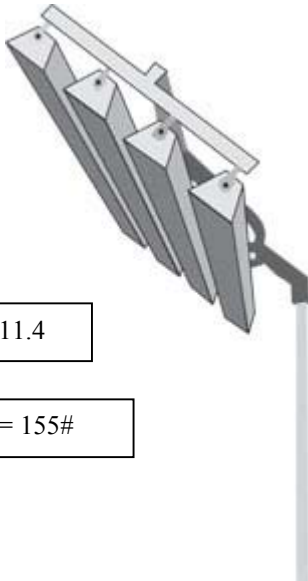
Array W2PT5096



EPA = 5.7

Mount Wt = 180#

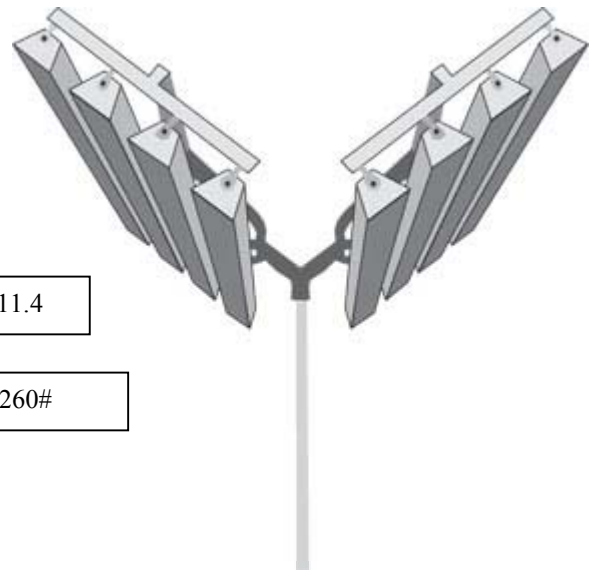
Array W4PY5096



EPA = 11.4

Mount Wt = 155#

Array W4PT5096



EPA = 11.4

Mount Wt = 260#

Array W8PY5096

We reserve the right to modify design or specification without prior written notice.

Saving Energy and the Environment Since 1964

"Quality is never an accident; it is always the result of high intention, sincere effort, intelligent direction and skillful execution; it represents the wise choice of many."